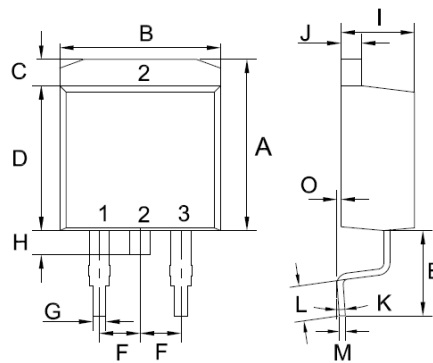


Features

- Glass Passivated Die Construction
- Super-Fast Switching
- Low Forward Voltage Drop
- Low Reverse Leakage Current
- High Surge Current Capability
- Plastic Material has UL Flammability Classification 94V-0

TO-263 (D²PAK)



TO-263 (D ² PAK)		
Unit:mm		
DIM	MIN	MAX
A	10.44	10.84
B	9.81	10.21
C	1.44	1.84
D	8.80	9.20
E	4.46	4.66
F	2.44	2.64
G	0.61	1.01
H	0.70	1.30
I	4.27	4.87
J	1.07	1.47
K	0°	8°
L	2.10	2.50
M	0.30	0.46
O	0	0.25

Mechanical Data

- Case: TO-263(D²PAK), Molded Plastic
- Terminals: Plated Leads Solderable per MIL-STD-202, Method 208
- Polarity: See Diagram
- Mounting Position: Any
- **Lead Free: For RoHS / Lead Free Version**

Maximum Ratings and Electrical Characteristics @T_A=25°C unless otherwise specified

Single Phase, half wave, 60Hz, resistive or inductive load.
For capacitive load, derate current by 20%.

Characteristic	Symbol	MURB 510	MURB 520	MURB 530	MURB 540	MURB 550	MURB 560	Unit
Peak Repetitive Reverse Voltage	V _{RRM}							V
Working Peak Reverse Voltage	V _{RWM}	100	200	300	400	500	600	
DC Blocking Voltage	V _R							
RMS Reverse Voltage	V _{R(RMS)}	70	140	210	280	350	420	V
Average Rectified Output Current @T _C = 100°C	I _O	5.0						A
Non-Repetitive Peak Forward Surge Current 8.3ms Single half sine-wave superimposed on rated load (JEDEC Method)	I _{FSM}	90						A
Forward Voltage @I _F = 5.0A	V _{FM}	1.0	1.3		1.7			V
Peak Reverse Current @T _A = 25°C	I _{RM}	10						μA
At Rated DC Blocking Voltage @T _A = 100°C		400						
Reverse Recovery Time (Note 1)	t _{rr}	35						nS
Typical Junction Capacitance (Note 2)	C _j	80				50		pF
Operating and Storage Temperature Range	T _j , T _{STG}	-55 to +150						°C

Note: 1. Measured with I_F = 0.5A, I_R = 1.0A, I_{RR} = 0.25A.
2. Measured at 1.0 MHz and applied reverse voltage of 4.0V D.C.

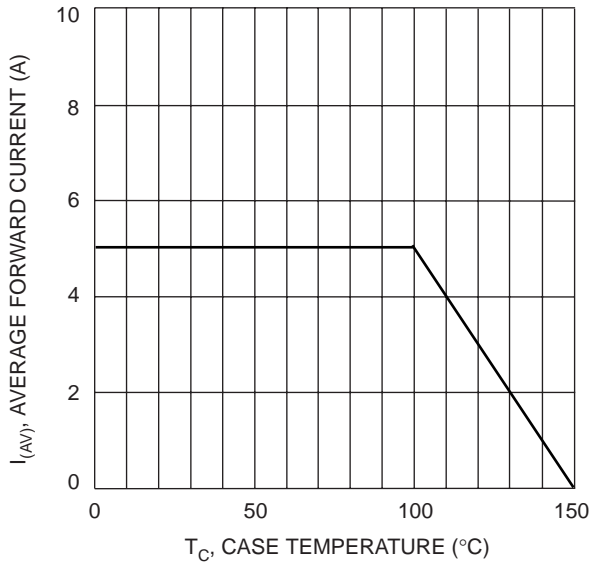


Fig. 1 Forward Current Derating Curve

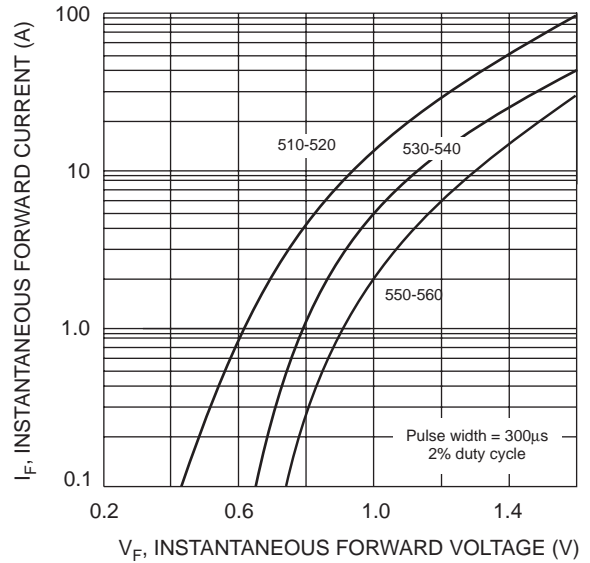


Fig. 2 Typical Forward Characteristics

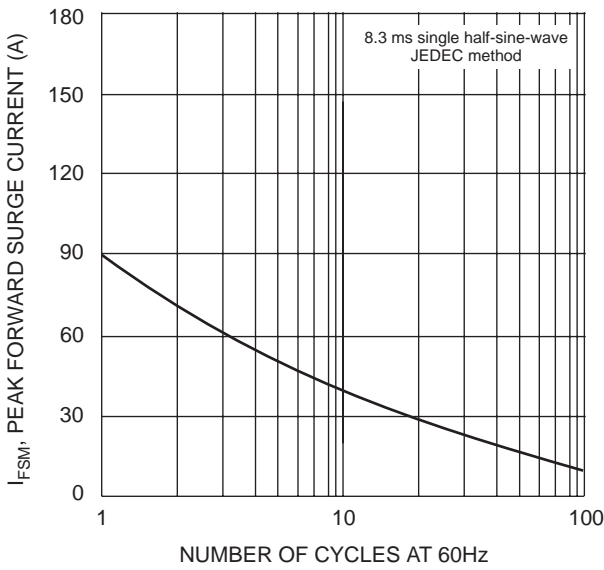


Fig. 3 Max Non-Repetitive Surge Current

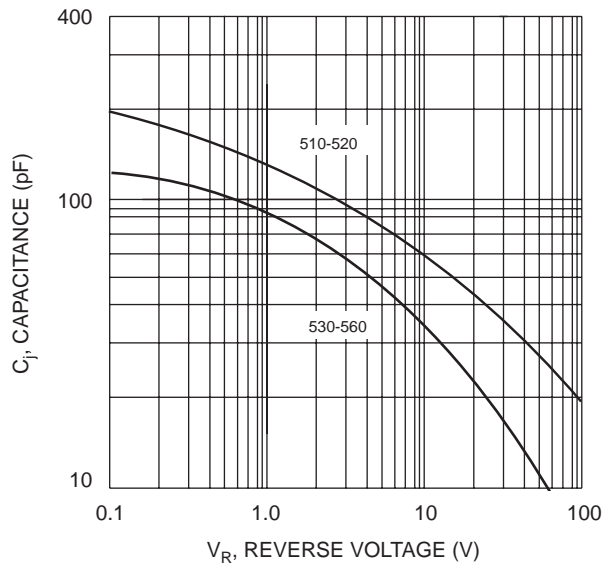


Fig. 4 Typical Junction Capacitance